

2512 Straight Square Entrance Pull Handles



Advantages at a glance

- 316 Marine Grade Stainless Steel
- Designed with your project's needs in mind
- High durability with concealed fixings
- Standard finishes: SSS and PSS
- Powdercoat and custom finishes available on request



AS1428 Compliant

dormakaba's Straight Square Entrance Pull Handles crafted with precision and excellence in mind, these handles are designed to elevate your space with their superior quality and attention to detail.

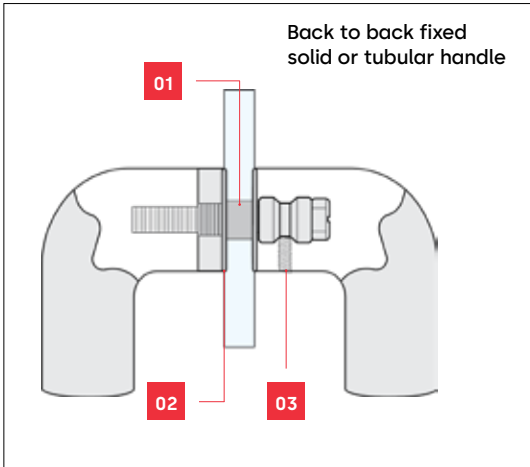
Made from premium 316 Marine Grade Stainless Steel, these handles are built to withstand the test of time, offering unmatched corrosion resistance for both indoor and outdoor use, even in high traffic areas. The square section design ensures effortless functionality, providing comfortable grip and ease of use.

Ideal for a variety of settings, from residential to commercial, these handles are versatile enough to be installed on glass, timber, and aluminium doors. Elevate your entrances with dormakaba's Straight Square Entrance Pull Handles and experience genuine quality that stands out in any space.

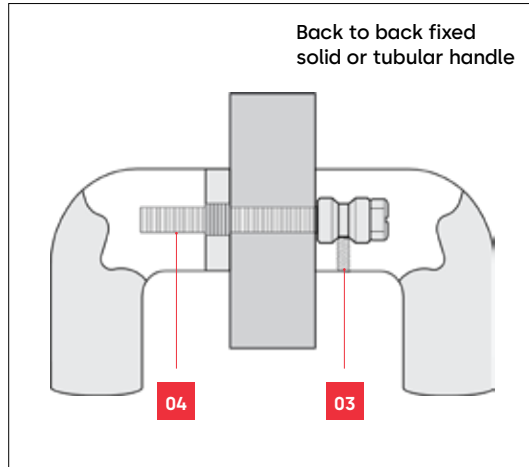
Refer to ordering details for a range of optional accessories to suit:

- Back to back extended fixing for timber doors
- Back to back fixing for glass doors
- Disc fixing for timber doors
- Disc fixing for glass doors

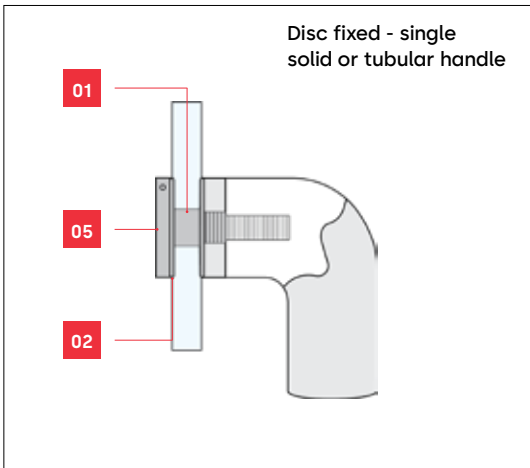
Fixing options



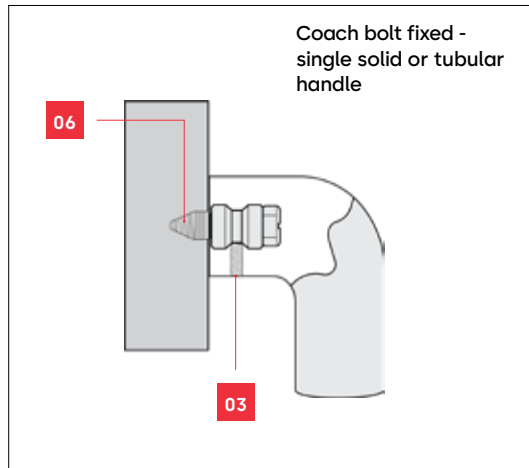
GD FIX - glass doors



TM FIX - timber or metal doors



D FIX - glass, metal or timber doors



C FIX - timber doors only

Note

Nylon spacers and washers are included with handle for glass door fixing option.

Legend

- 01 Spacer
- 02 Washer
- 03 Grub Screw
- 04 Bolt
- 05 Disc
- 06 Coach Bolt

TIMBER DOOR FIXING

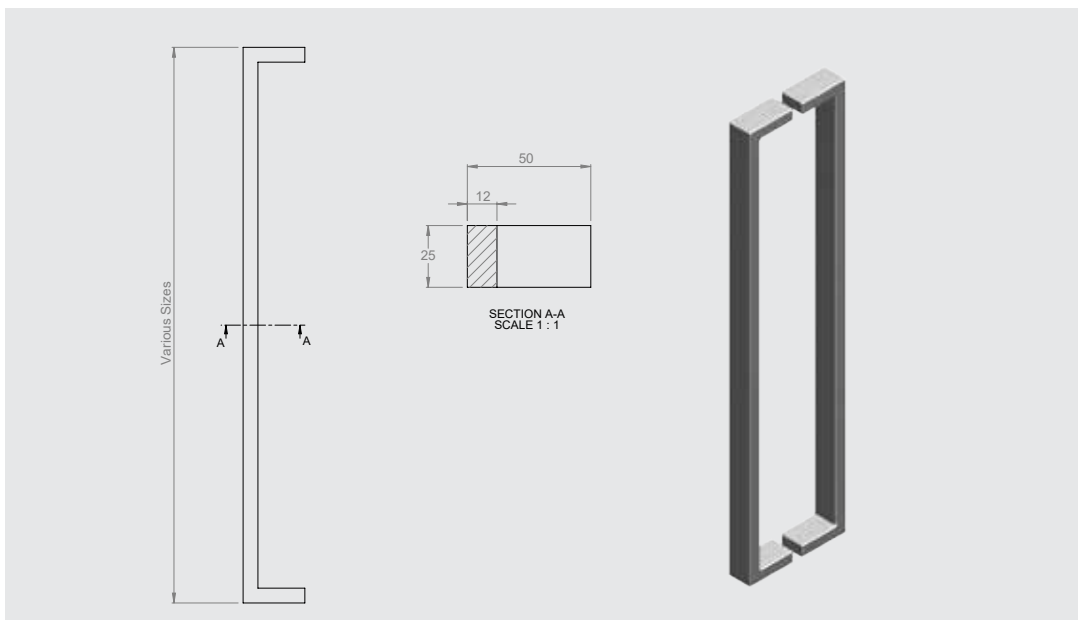
Material Size	Bolt Size
14mm Ø	5mm
16mm Ø	5mm
19mm Ø	8mm
25mm Ø	8mm
32mm Ø	8mm

METAL DOOR FIXING

Material Size	Bolt Size
14mm Ø	5mm
16mm Ø	5mm
19mm Ø	8mm
25mm Ø	8mm
32mm Ø	8mm

GLASS DOOR FIXING

Material Size	Bolt Size
14mm Ø	12mm Ø
16mm Ø	12mm Ø
19mm Ø	12mm Ø
25mm Ø	12mm Ø
32mm Ø	12mm Ø



2512 Straight Square dimensions

Ordering details

Item	Article Number	Description	Section	Length	Fixing Centers	Projection
BACK TO BACK FIXING						
B25 12/200/SF	9400000016418	B25 12/200/ 25X12 OA 212 CTC 200 SF	12mm x 25mm	212mm	200mm	50mm
B25 12/200/PSS	9457512184102	B25 12/200/ 25X12 OA 212 CTC 200 PSS	12mm x 25mm	225mm	200mm	50mm
B25 12/200/SSS	9457512184101	B25 12/200/ 25X12 OA 212 CTC 200 SSS	12mm x 25mm	225mm	200mm	50mm
B25 12/300/SF	9400000016419	B25 12/300/ 25X12 OA 312 CTC 300 SF	12mm x 25mm	312mm	300mm	50mm
B25 12/300/PSS	9457512844102	B25 12/300/25X12 OA 312 CTC 300 PSS	12mm x 25mm	312mm	300mm	50mm
B25 12/300/SSS	9457512844101	B25 12/300/ 25X12 OA 312 CTC 300 SSS	12mm x 25mm	312mm	300mm	50mm
B25 12/450/SF	9400000016420	B25 12/450/25X12 OA 462 CTC 450 SF	12mm x 25mm	462mm	450mm	50mm
B25 12/450/PSS	9457513954102	B25 12/450/ 25X12 OA 462 CTC 450 PSS	12mm x 25mm	462mm	450mm	50mm
B25 12/450/SSS	9457513954101	B25 12/450/25X12 OA 462 CTC 450 SSS	12mm x 25mm	462mm	450mm	50mm
B25 12/600/SF	9400000016421	B25 12/600/25X12 OA 612 CTC 600 SF	12mm x 25mm	612mm	600mm	50mm
B25 12/600/SSS	9457514734102	B25 12/600/25X12 OA 612 CTC 600 SSS	12mm x 25mm	612mm	600mm	50mm
B25 12/600/SSS	9457514734101	B25 12/600/25X12 OA 612 CTC 600 SSS	12mm x 25mm	612mm	600mm	50mm

ACCESSORIES - EXTENDED FIXINGS - sold as a pair

TM/M5/50	9459405045200	M5/50 BOLT & 9MM FERULE TM FIX	<p>Note: When ordering extended fixings please use the below formula.</p> <p>Door thickness + 20mm for the Ferule + 10mm in to the other handle = round up to the nearest size offered.</p>
TM/M5/75	9459705075200	M5/75 BOLT & 9MM FERULE TM FIX	
TM/M5/100	9459505055200	M5/100 BOLT & 9MM FERULE TM FIX	

ACCESSORIES - GLASS FIXINGS - sold as a pair

GF12X25/M5/50 REC	9459501288302	25X12 REC GLASS FIXING PAIR
-------------------	---------------	-----------------------------

ACCESSORIES - DISC FIX & CONCEALED FIXING KITS

	9400000016706	DISK FIX KIT 25MM SF
	9400000016707	DISK FIX KIT 32MM SF
	9400000016703	DISK FIX KIT 25MM
	9400000016704	DISK FIX KIT 32MM
	9400000016705	CONCEALED FIXING KIT

Any questions? We would be happy to advise you.